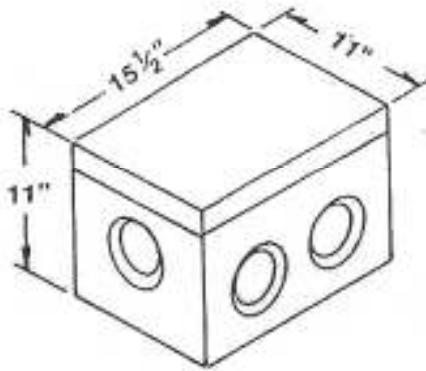


Colville Valley Concrete Corporation

1175 East Third St. Colville, WA 99114

509-684-2534

Distribution Box



5 OUTLET

Cover - 29 lbs.
Box - 59 lbs.



FIGURE NUMBER ONE

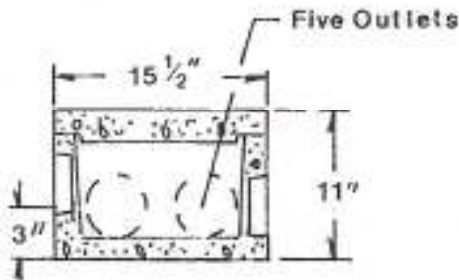


FIGURE NUMBER TWO

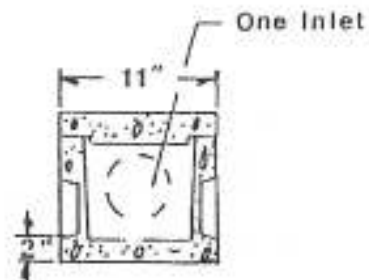
USE A SCREWDRIVER, KEY OR STICK TO REMOVE THE KNOCKOUT WEB. "DO NOT USE A KNIFE, IT MAY DAMAGE THE INTEGRITY OF THE SEAL."

NOTE: THE KNOCKOUT WEB SHOULD ONLY BE REMOVED WHEN YOU ARE READY TO INSTALL THE PIPE.

THE UNIQUE PROPERTIES OF THIS SEAL BECOME EVIDENT WHEN YOU PUT THE FIRST PIECE OF PIPE IN. SIMPLY PUSH THE PIPE INTO THE SEAL, EXTEND IT INTO THE BOX 5" AND THEN PULL BACK ON THE PIPE TO WITHIN 1" OF THE INSIDE WALL. THE SEAL IS NOW ENGAGED! THIS SEAL ALSO ALLOWS FOR LINE DEFLECTION OF OVER 15 DEGREES!



SIDE ELEV.



END ELEV.